

## Series 2

### Inert isolation solenoid valves

#### FEATURES

- 2-way diaphragm valves
- All PTFE wetted parts
- High cycle life
- Uses low power
- Low internal volume
- Requires no pressure to operate



#### MEDIA COMPATIBILITY

Liquids and gases

#### WETTED MATERIALS

Materials contacting media:  
PTFE

Body:  
PTFE

#### ELECTRICAL

Power 2.5, 4.2 W

Voltage 12, 24 V<sub>DC</sub>

Current/Resistance (Ω ±5% @ 21 °C)

12 V <sub>DC</sub>	211 mA/57 Ω
24 V <sub>DC</sub>	173 mA/139 Ω

#### PHYSICAL PROPERTIES

Operating environment 4 to 66 °C

Weight (e.g. 3-way, 1/8" NPT body) 71 g

Porting 1/4"-28 threaded ports

Internal volume 49 μl

## Series 2

### Inert isolation solenoid valves

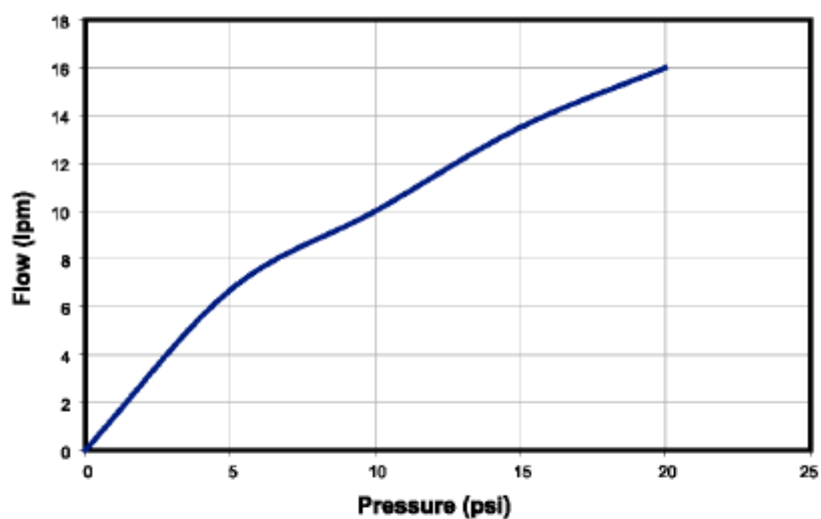
---

#### PERFORMANCE CHARACTERISTICS

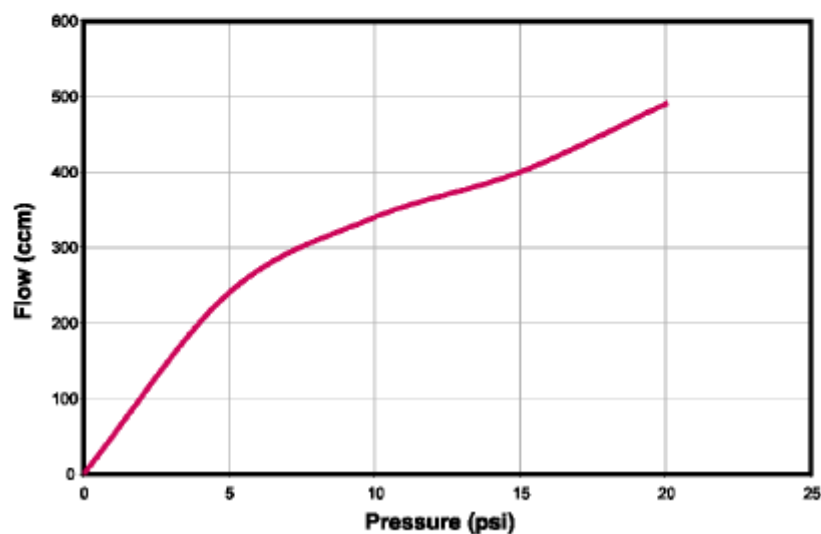
Part no.	Pressure	Orifice sizes	Leak rate	Response
See Ordering Information	Vacuum...1.4 bar (20 psi)	0.060" (1.52 mm)	Bubble tight	20 ms

#### FLOW CURVES

##### Air flow, 0.060" orifice

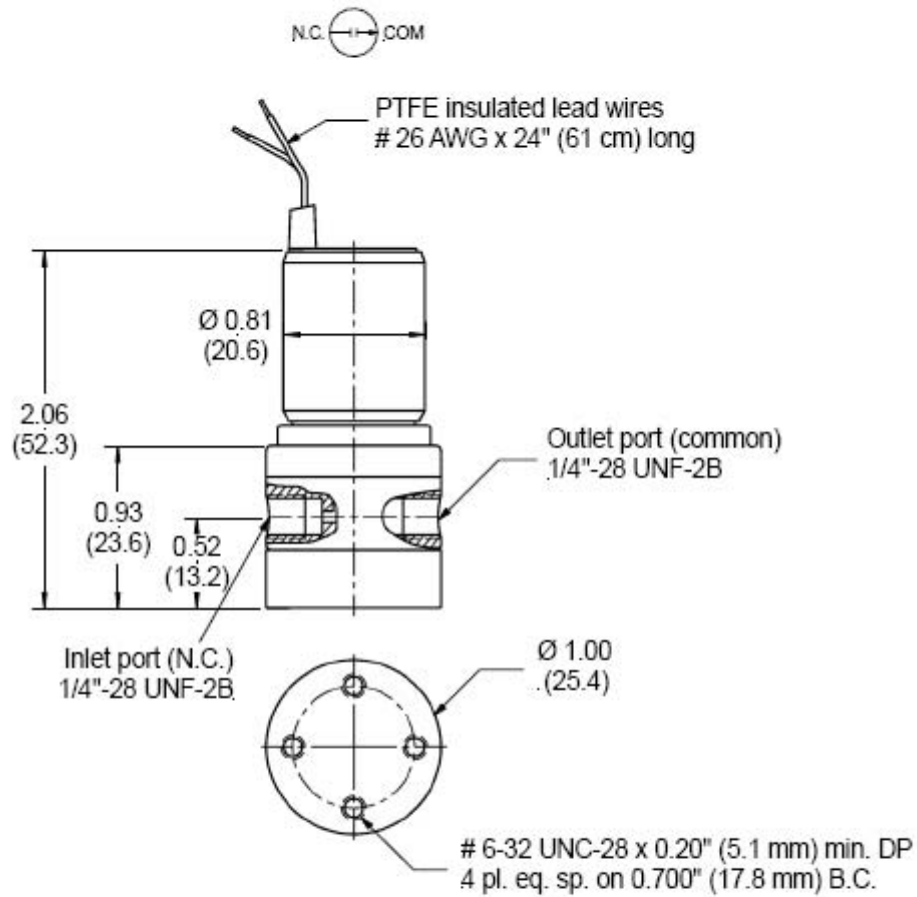


##### Water flow, 0.060" orifice



## Series 2 Inert isolation solenoid valves

### OUTLINE DRAWING



dimensions in inches (mm)

### ORDERING INFORMATION

Part No.	Type	Operating Pressure	Orifice	Voltage	Porting
002-0017-900	2-way NC	Vac...1.4 bar (20 psi)	1.52 mm (0.060")	12 V <sub>DC</sub>	1/4"-28
002-0010-900				24 V <sub>DC</sub>	